

COMMON MODE CHOKE 共模電感

UU9.8/UU10.5/UU16 UT20 SERIES

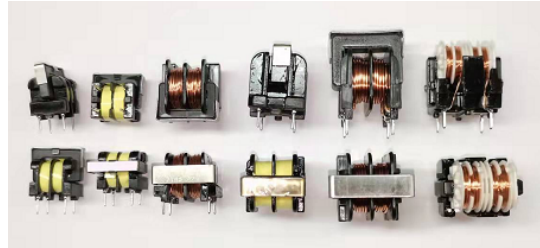
FEATURES 特征

Rated voltage:85to265Vac,50/60Hz.270Vac.50/60Hz

Turns Ratio: | N1:N2 | = | 1:1 |

Operating Temperature range:-40°C to +105°C

Storage Temperature range:-40°C to +105 °C

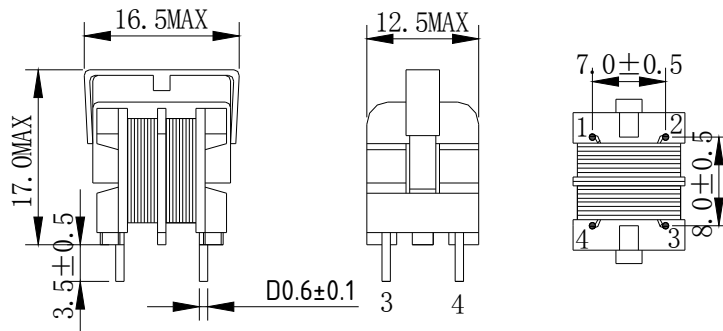


UU9.8 UU10.5 UU16 UT20

APPLICATIONS 用途/說明：

产品广泛应用于电脑主机、打印机、电脑外围设备、传真机、复印机、监视器、绘图机、充电器、驱动电源及控制设备、医疗设备、通信设备、EMI抗干扰、音响等电子数码产品上。

SHAPES AND DIMENSIONS (Unit:mm)



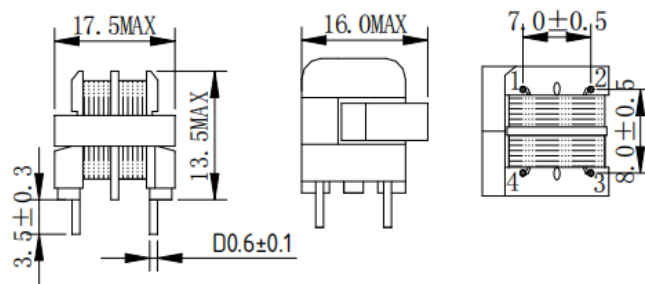
UU9.8 立式

PRODUCT SPECIFICATIONS

Part number	Inductance	DCR	Rated Current	Peak Current	length	width	height
	(mH)	(Ω) max	(A)	(A)	(mm) max	(mm) max	(mm) max
TUU9.8H-T001	10	0.40	1.00	1.40	16.5	12.5	17.5
TUU9.8H-T002	20	1.00	0.80	1.12	16.5	12.5	17.5
TUU9.8H-T003	30	1.50	0.60	0.84	16.5	12.5	17.5
TUU9.8H-T004	40	2.00	0.50	0.70	16.5	12.5	17.5
TUU9.8H-T005	50	2.50	0.20	0.28	16.5	12.5	17.5

※Design as Customer's Requested Specifications. (可按顧客的特殊需求設計)

■ SHAPES AND DIMENSIONS (Unit:mm)



UU9.8 卧式

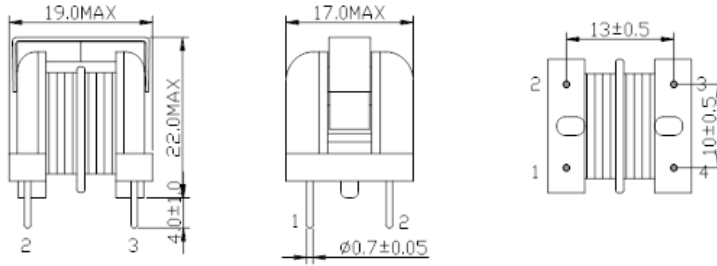
■PRODUCT SPECIFICATIONS

Part number	Inductance	DCR	Rated Current	Peak Current	length	width	height
	(mH)	(Ω) max	(A)	(A)	(mm) max	(mm) max	(mm) max
TUU9.8W-T001	10	0.40	1.00	1.40	17.5	16.0	13.5
TUU9.8W-T002	20	1.00	0.80	1.12	17.5	16.0	13.5
TUU9.8W-T003	30	1.50	0.60	0.84	17.5	16.0	13.5
TUU9.8W-T004	40	2.00	0.50	0.70	17.5	16.0	13.5
TUU9.8W-T005	50	2.50	0.20	0.28	17.5	16.0	13.5

※Design as Customer's Requested Specifications. (可按顾客的特殊需求设计)



1. DIMENSIONS (UNIT : mm)

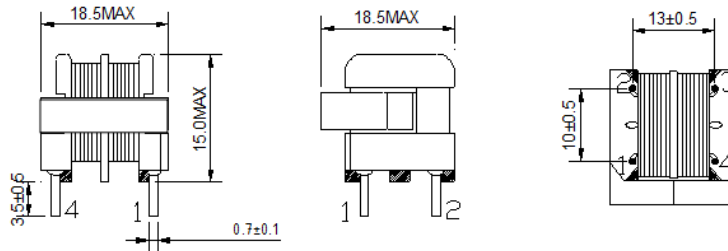


UU10.5 立式

■PRODUCT SPECIFICATIONS

Part number	Inductance	DCR	Rated Current	Peak Current	length	width	height
	(mH)	(Ω) max	(A)	(A)	(mm) max	(mm) max	(mm) max
TUU10.5H-T001	10	1.00	2.00	2.80	19.0	17.0	22.0
TUU10.5H-T002	20	2.00	1.50	2.10	19.0	17.0	22.0
TUU10.5H-T003	30	3.00	1.00	1.40	19.0	17.0	22.0
TUU10.5H-T004	40	4.00	0.50	0.70	19.0	17.0	22.0
TUU10.5H-T005	50	5.00	0.20	0.28	19.0	17.0	22.0

1. DIMENSIONS (UNIT : mm)



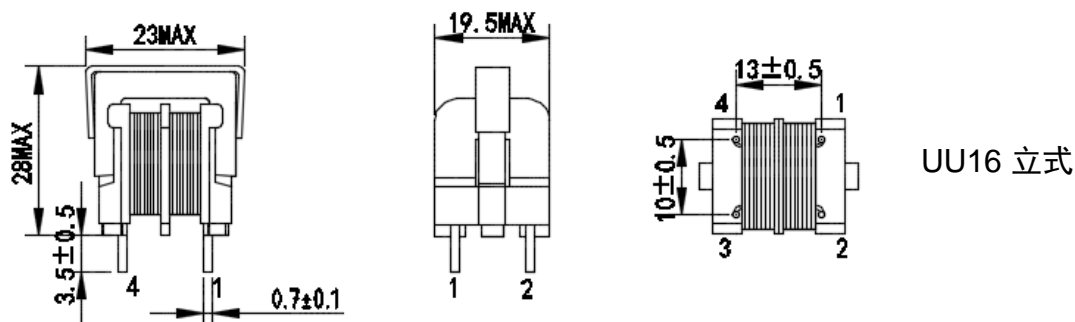
UU10.5 卧式

■PRODUCT SPECIFICATIONS

Part number	Inductance	DCR	Rated Current	Peak Current	length	width	height
	(mH)	(Ω) max	(A)	(A)	(mm) max	(mm) max	(mm) max
TUU10.5W-T001	10	1.00	2.00	2.80	18.5	18.5	15.0
TUU10.5W-T002	20	2.00	1.50	2.10	18.5	18.5	15.0
TUU10.5W-T003	30	3.00	1.00	1.40	18.5	18.5	15.0
TUU10.5W-T004	40	4.00	0.50	0.70	18.5	18.5	15.0
TUU10.5W-T005	50	5.00	0.20	0.28	18.5	18.5	15.0

※Design as Customer's Requested Specifications.(可按顧客的特殊需求設計)

1. DIMENSIONS (UNIT : mm)



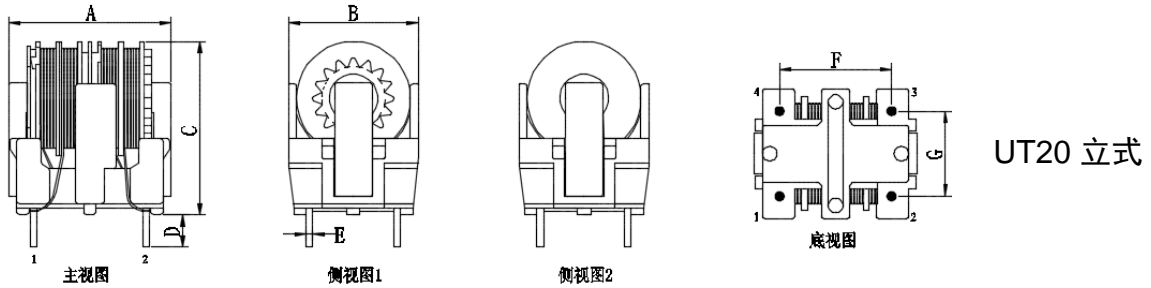
UU16 立式

■PRODUCT SPECIFICATIONS							
Part number	Inductance	DCR	Rated Current	Peak Current	length	width	height
	(mH)	(Ω) max	(A)	(A)	(mm) max	(mm) max	(mm) max
TUU16H-T001	10	1.00	3.00	4.20	23.0	19.5	28.0
TUU16H-T002	20	2.00	2.50	3.50	23.0	19.5	28.0
TUU16H-T003	30	3.00	2.00	2.80	23.0	19.5	28.0
TUU16H-T004	40	4.00	1.50	2.10	23.0	19.5	28.0
TUU16H-T005	50	5.00	1.00	1.40	23.0	19.5	28.0

※Design as Customer's Requested Specifications.(可按顧客的特殊需求設計)



1. DIMENSIONS (UNIT : mm)



PRODUCT SPECIFICATIONS

Part number	Inductance	DCR	Rated Current	Peak Current	length	width	height
	(mH)	(Ω) max	(A)	(A)	(mm) max	(mm) max	(mm) max
UT20-T001	10	0.50	3.00	4.20	22.0	17.0	22.5
UT20-T002	20	1.20	2.50	3.50	22.0	17.0	22.5
UT20-T003	30	1.50	2.00	2.80	22.0	17.0	22.5
UT20-T004	40	2.00	1.50	2.10	22.0	17.0	22.5
UT20-T005	50	2.50	1.00	1.40	22.0	17.0	22.5

※Design as Customer's Requested Specifications. (可按顧客的特殊需求設計)